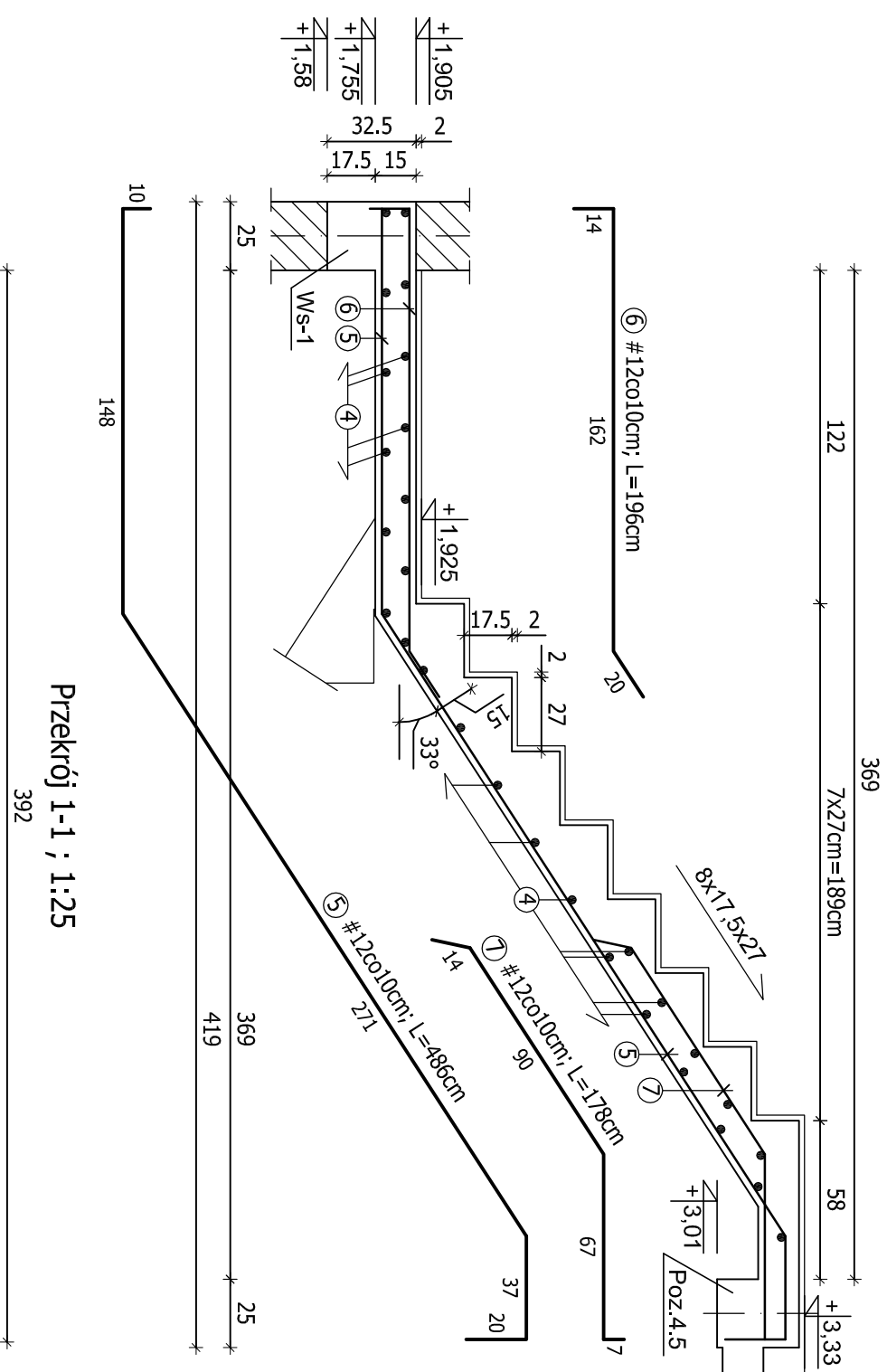
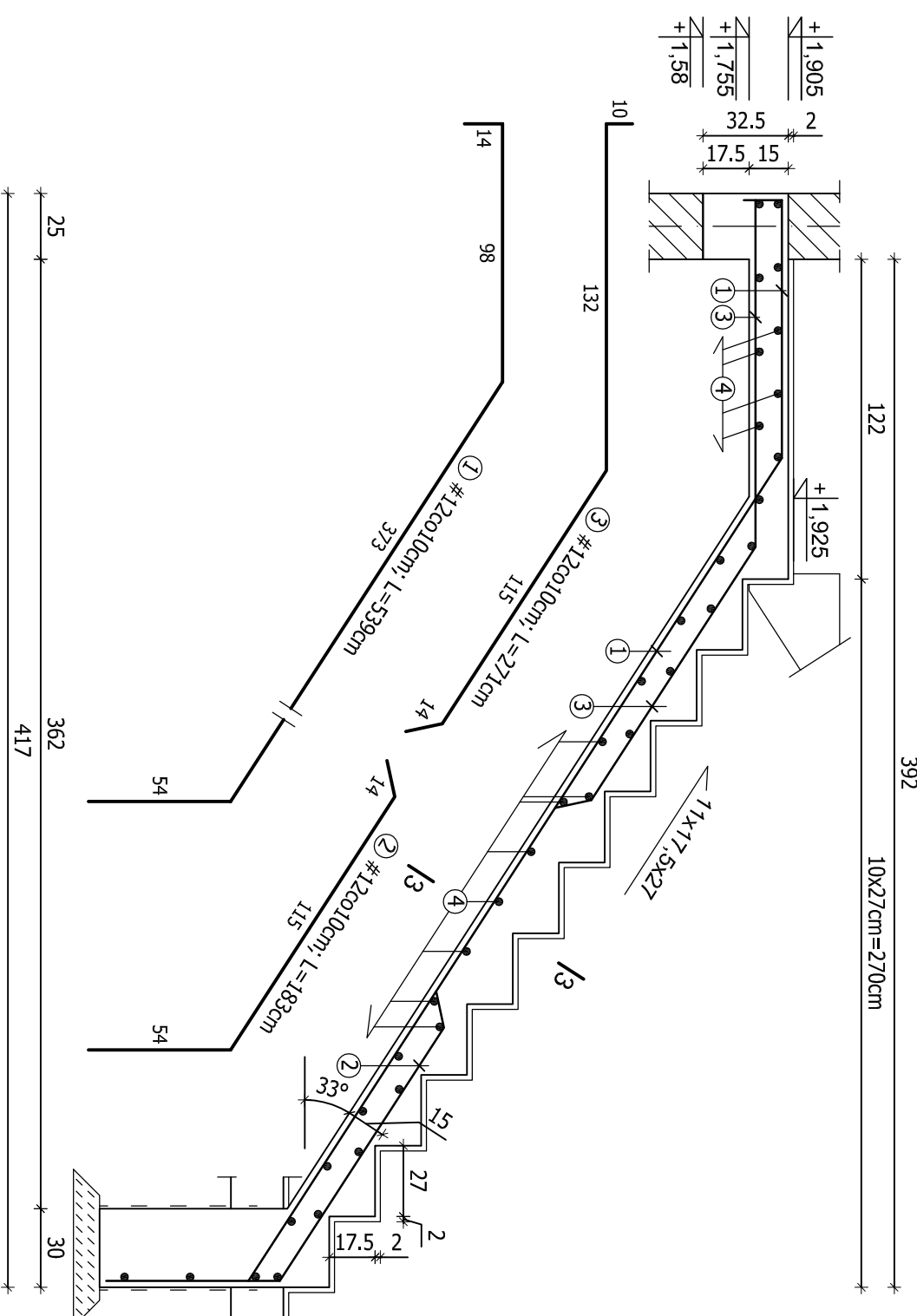


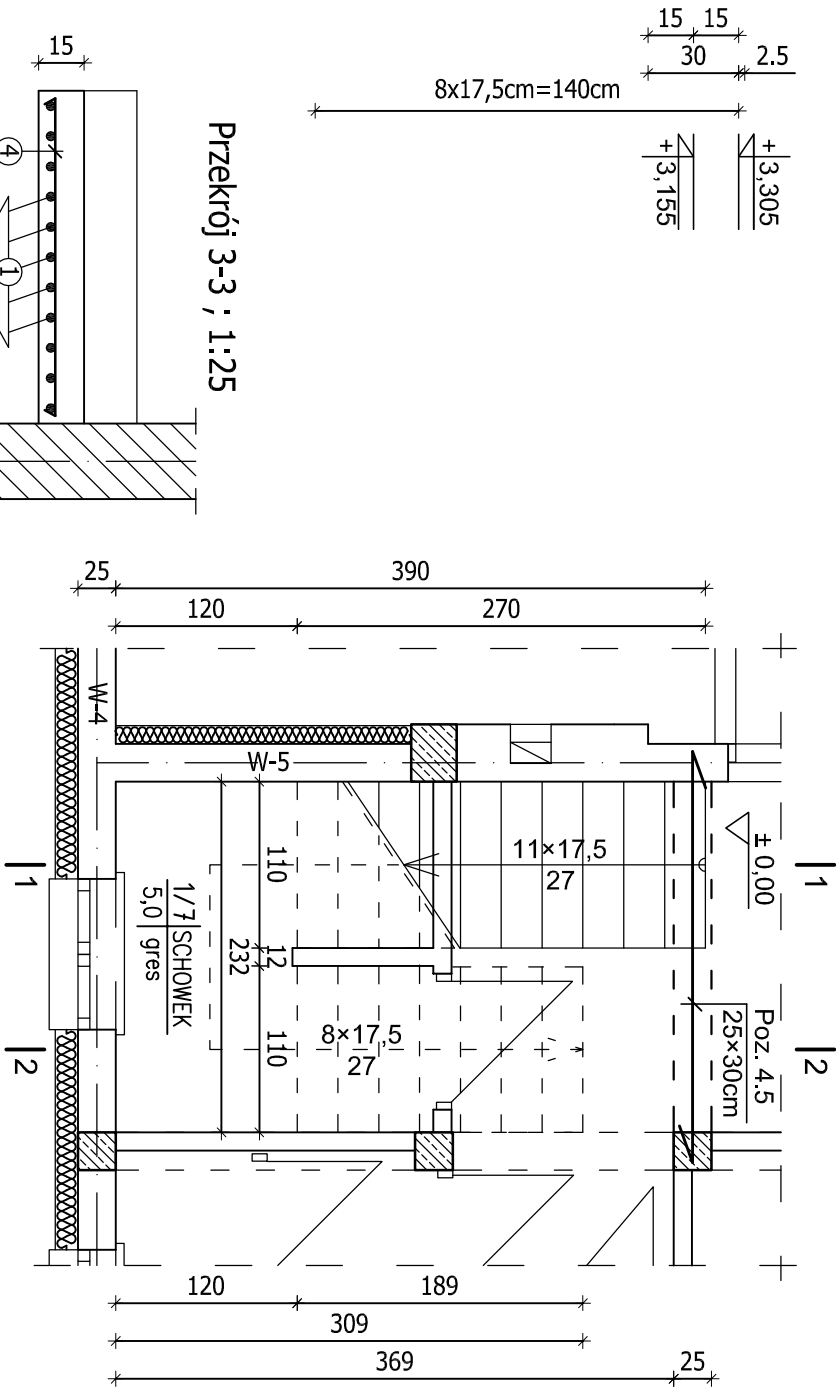
Przekrój 2-2 ; 1:25



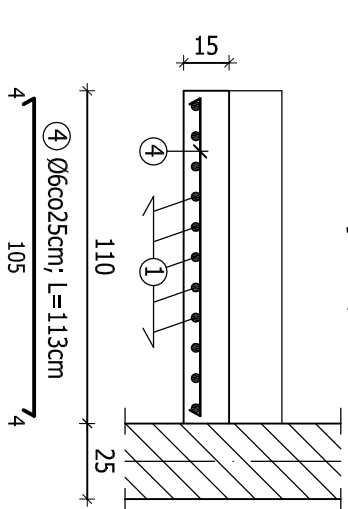
Przekrój 1-1 ; 1:25



Rzut schodów ; 1:50



Przekrój 3-3 ; 1:25



ZESTAWIENIE STALI ZBROJENIOWEJ								
POZ.	NR	Ø	DLUGOŚĆ [cm]	ILOŚĆ SZT. W ELEMENTE [szt.]	CAŁKOWITA DŁUGOŚĆ [m]	Ø6	#412	
Poz. 3.0 - SCHODY	1	12	539	11	59,29			
	2	12	183	111	203,13			
	3	12	271	11	29,81			
	4	6	113	66	74,58			
	5	12	486	11	53,46			
	6	12	196	11	21,56			
	7	12	178	11	19,58			
	8	12	280	4	11,20			
	9	6	102	15	15,30			
	SUMA [m]					398,03		
	MASA JEDN. [kg/m]					0,222		0,888
	MASA CAŁKOWITA [kg]					19,95		353,45
RAZEM [kg]							373,40	

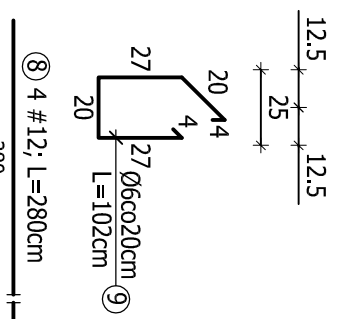
UWAGA:

1. Wymiary podano w centymetrach [cm].

**BETON B25 (C20/25)**

**STAL KL. A-IIIIN, gat. B500SP**

**STAL KL. A-I, gat. St3SY-b**



Ws-1 ; 1:25

8 4 #12; L=280cm

9 4 #12; L=102cm

10 4 #12; L=102cm

11 4 #12; L=102cm

12 4 #12; L=102cm

13 4 #12; L=102cm

14 4 #12; L=102cm

15 4 #12; L=102cm

16 4 #12; L=102cm

17 4 #12; L=102cm

18 4 #12; L=102cm

19 4 #12; L=102cm

20 4 #12; L=102cm

21 4 #12; L=102cm

22 4 #12; L=102cm

23 4 #12; L=102cm

24 4 #12; L=102cm

25 4 #12; L=102cm

26 4 #12; L=102cm

27 4 #12; L=102cm

28 4 #12; L=102cm

29 4 #12; L=102cm

30 4 #12; L=102cm

31 4 #12; L=102cm

32 4 #12; L=102cm

33 4 #12; L=102cm

34 4 #12; L=102cm

35 4 #12; L=102cm

36 4 #12; L=102cm

37 4 #12; L=102cm

38 4 #12; L=102cm

39 4 #12; L=102cm

40 4 #12; L=102cm

41 4 #12; L=102cm

42 4 #12; L=102cm

43 4 #12; L=102cm

44 4 #12; L=102cm

45 4 #12; L=102cm

46 4 #12; L=102cm

47 4 #12; L=102cm

48 4 #12; L=102cm

49 4 #12; L=102cm

50 4 #12; L=102cm

51 4 #12; L=102cm

52 4 #12; L=102cm

53 4 #12; L=102cm

54 4 #12; L=102cm

55 4 #12; L=102cm

56 4 #12; L=102cm

57 4 #12; L=102cm

58 4 #12; L=102cm

59 4 #12; L=102cm

60 4 #12; L=102cm

61 4 #12; L=102cm

62 4 #12; L=102cm

63 4 #12; L=102cm

64 4 #12; L=102cm

65 4 #12; L=102cm

66 4 #12; L=102cm

67 4 #12; L=102cm

68 4 #12; L=102cm

69 4 #12; L=102cm

70 4 #12; L=102cm

71 4 #12; L=102cm

72 4 #12; L=102cm

73 4 #12; L=102cm

74 4 #12; L=102cm

75 4 #12; L=102cm

76 4 #12; L=102cm

77 4 #12; L=102cm

78 4 #12; L=102cm

79 4 #12; L=102cm

80 4 #12; L=102cm

81 4 #12; L=102cm

82 4 #12; L=102cm

83 4 #12; L=102cm

84 4 #12; L=102cm

85 4 #12; L=102cm

86 4 #12; L=102cm

87 4 #12; L=102cm

88 4 #12; L=102cm

89 4 #12; L=102cm

90 4 #12; L=102cm

91 4 #12; L=102cm

92 4 #12; L=102cm

93 4 #12; L=102cm

94 4 #12; L=102cm

95 4 #12; L=102cm

96 4 #12; L=102cm

97 4 #12; L=102cm

98 4 #12; L=102cm

99 4 #12; L=102cm

100 4 #12; L=102cm

101 4 #12; L=102cm

102 4 #12; L=102cm

103 4 #12; L=102cm

104 4 #12; L=102cm

105 4 #12; L=102cm

106 4 #12; L=102cm

107 4 #12; L=102cm

108 4 #12; L=102cm

109 4 #12; L=102cm

110 4 #12; L=102cm

111 4 #12; L=102cm

112 4 #12; L=102cm

113 4 #12; L=102cm

114 4 #12; L=102cm

115 4 #12; L=102cm

116 4 #12; L=102cm

117 4 #12; L=102cm

118 4 #12; L=102cm

119 4 #12; L=102cm

120 4 #12; L=102cm

121 4 #12; L=102cm

122 4 #12; L=102cm

123 4 #12; L=102cm

124 4 #12; L=102cm

125 4 #12; L=102cm

126 4 #12; L=102cm

127 4 #12; L=102cm

128 4 #12; L=102cm

129 4 #12; L=102cm

130 4 #12; L=102cm

131 4 #12; L=102cm

132 4 #12; L=102cm

133 4 #12; L=102cm

134 4 #12; L=102cm

135 4 #12; L=102cm

136 4 #12; L=102cm

137 4 #12; L=102cm

138 4 #12; L=102cm

139 4 #12; L=102cm

140 4 #12; L=102cm

141 4 #12; L=102cm

142 4 #12; L=102cm

143 4 #12; L=102cm

144 4 #12; L=102cm

145 4 #12; L=102cm

146 4 #12; L=102cm

147 4 #12; L=102cm

148 4 #12; L=102cm

149 4 #12; L=102cm

150 4 #12; L=102cm

151 4 #12; L=102cm

152 4 #12; L=102cm

153 4 #12; L=102cm

154 4 #12; L=102cm

155 4 #12; L=102cm

156 4 #12; L=102cm

157 4 #12; L=102cm

158 4 #12; L=102cm

159 4 #12; L=102cm

160 4 #12; L=102cm

161 4 #12; L=102cm

162 4 #12; L=102cm

163 4 #12; L=102cm

164 4 #12; L=102cm

165 4 #12; L=102cm

166 4 #12; L=102cm

167 4 #12; L=102cm

168 4 #12; L=102cm

169 4 #12; L=102cm

170 4 #12; L=102cm

171 4 #12; L=102cm

172 4 #12; L=102cm

173 4 #12; L=102cm

174 4 #12; L=102cm

175 4 #12; L=102cm

176 4 #12; L=102cm

177 4 #12; L=102cm

178 4 #12; L=102cm

179 4 #12; L=102cm

180 4 #12; L=102cm

181 4 #12; L=102cm

182 4 #12; L=102cm

183 4 #12; L=102cm

184 4 #12; L=102cm

185 4 #12; L=102cm

186 4 #12; L=102cm

187 4 #12; L=102cm

188 4 #12; L=102cm

189 4 #12; L=102cm

190 4 #12; L=102cm

191 4 #12; L=102cm

192 4 #12; L=102cm

193 4 #12; L=102cm

194 4 #12; L=102cm

195 4 #12; L=102cm

196 4 #12; L=102cm

197 4 #12; L=102cm

198 4 #12; L=102cm

199 4 #12; L=102cm

200 4 #12; L=102cm

201 4 #12; L=102cm

202 4 #12; L=102cm